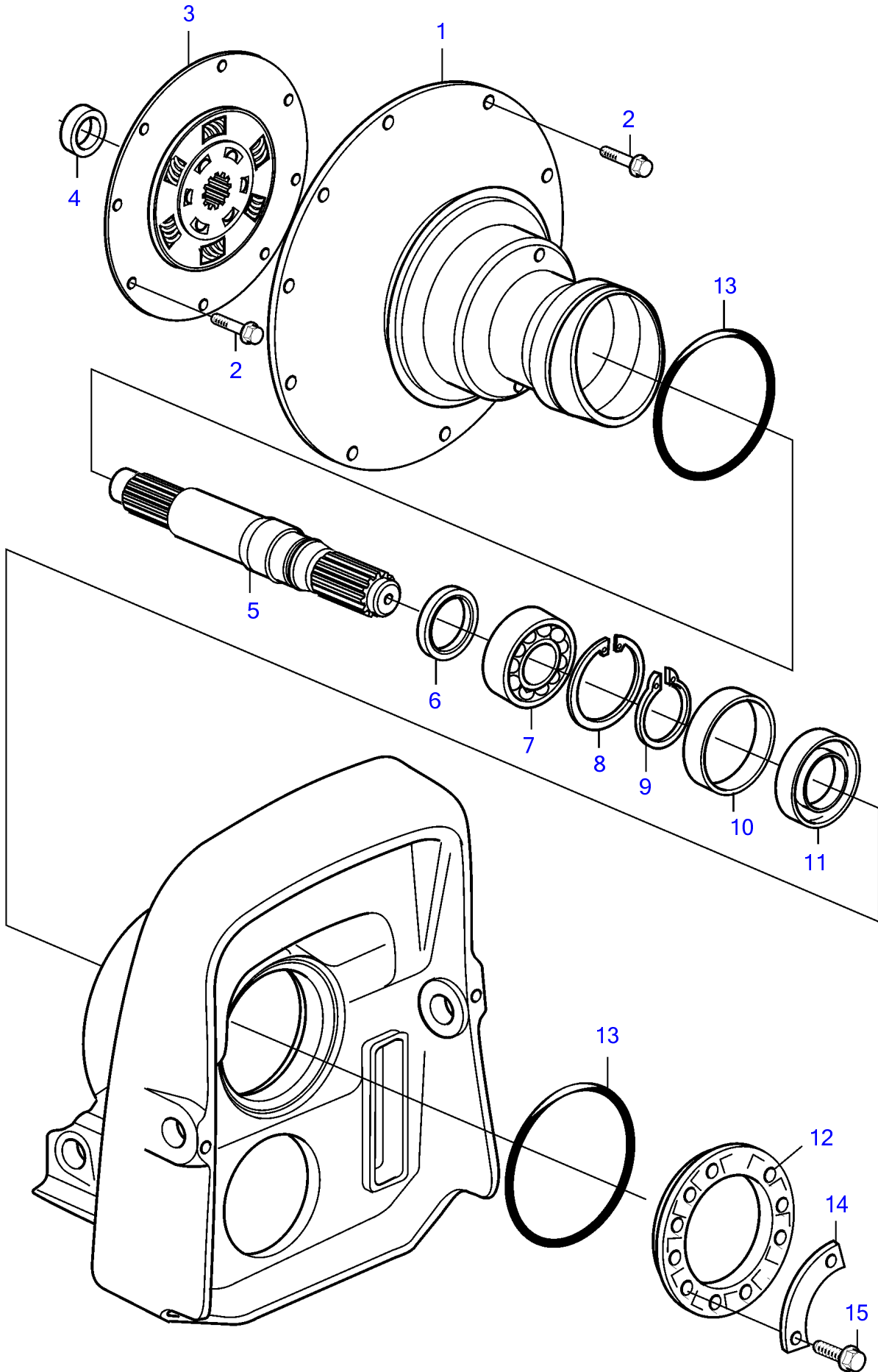


D4-225A-F, D4-260A-F, D4-300A-F



26127

D4-225A-F, D4-260A-F, D4-300A-F

REF	PART NO.	QTY	DESCRIPTION	NOTES
1	3589844	1	Flywheel housing	Replaced by 21201104
	21201104	1	Flywheel housing	
2	946752	18	Flange screw	L=35mm
3	21424060	1	Flexible coupling	SN-2004032573
	21581138	1	Flexible coupling	SN2004032574-
4	888264	1	Bushing	
5	21324794	1	Shaft	
6	6842273	1	Lip seal	
7	184841	1	Ball bearing	
8	914533	1	Snap ring	
9	914462	1	Snap ring	
10	888545	1	Bushing	
11	958860	1	Sealing ring	
12	873048	1	Tensioning ring	
13	813967	2	Rubber ring	
14	806624	3	Striker plate	
15	191844	6	Hexagon screw	

47704400-44-7574

26127

Upd:2014-07-17

D4-180I-F, D4-225A-F, D4-225I-F, D4-260A-F, D4-260D-F, D4-260I-F, D4-300A-F, D4-300D-F, D4-300I-F

VOLVO
PENTA